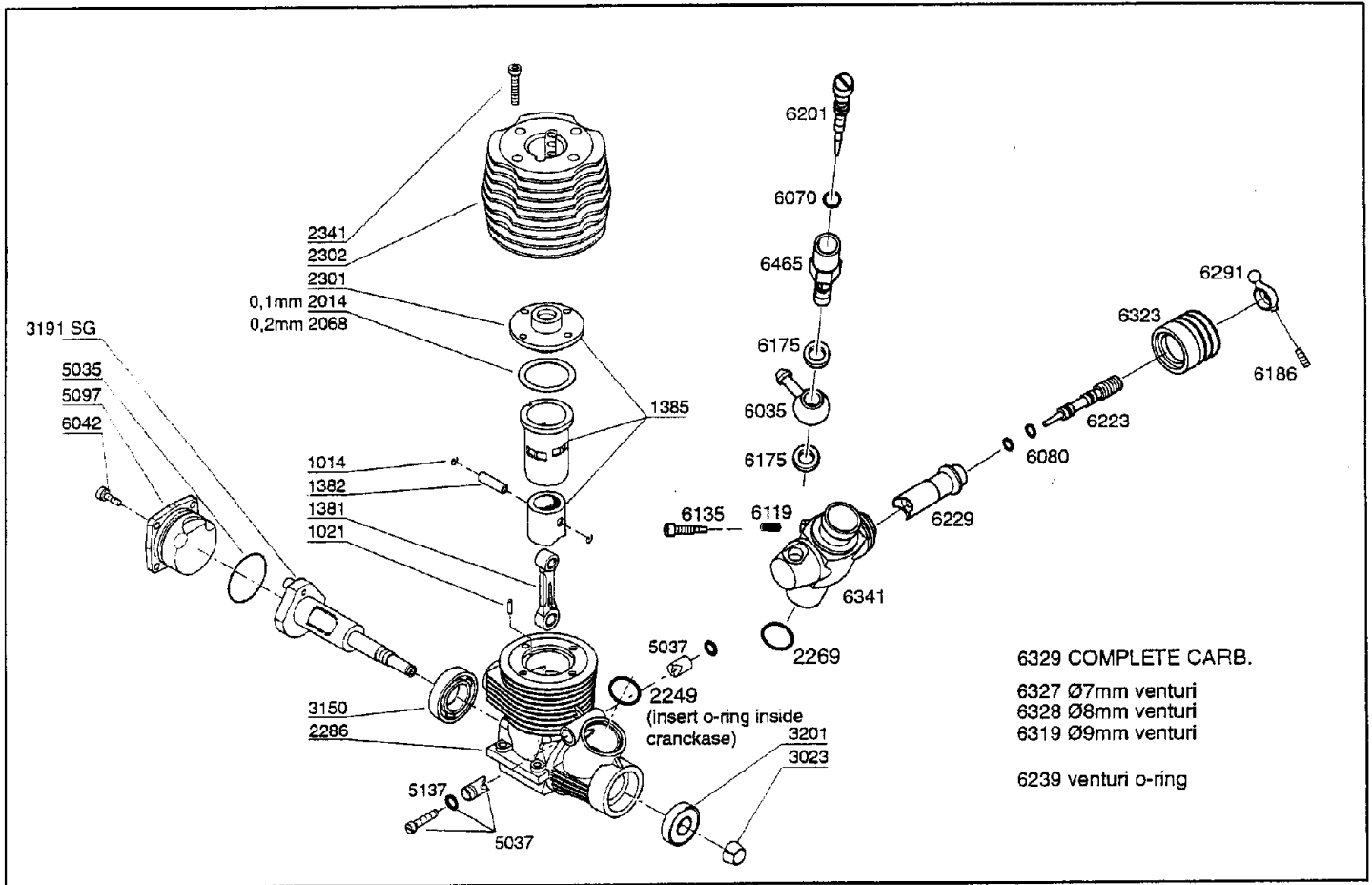


## TECHNICAL DATA:

- Cubic capacity.....3,49cc
- Stroke.....16,8
- Bore.....16,26
- Rpm.....36000
- Hp.....2,7
- Weight.....300gr.



Order form:

.....

.....

.....

.....

.....

.....

.....

.....

.....

.....

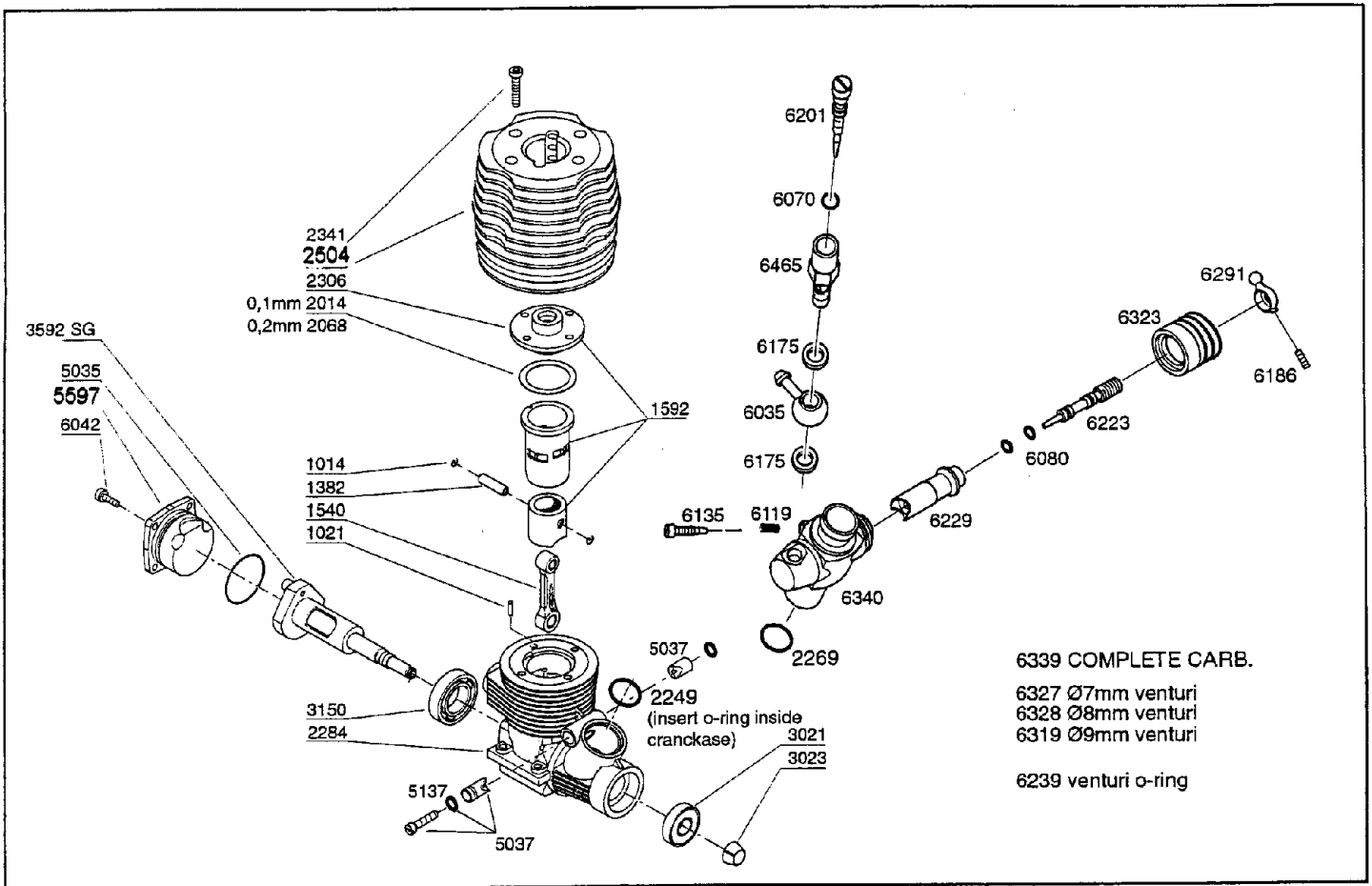






### TECHNICAL DATA:

- Cubic capacity.....3,49cc
- Stroke.....16,8
- Bore.....16,26
- Rpm.....30000
- Hp.....2,4
- Weight.....330gr



Order form:

.....

.....

.....

.....

.....

.....

.....

.....

.....

.....

# PICCO

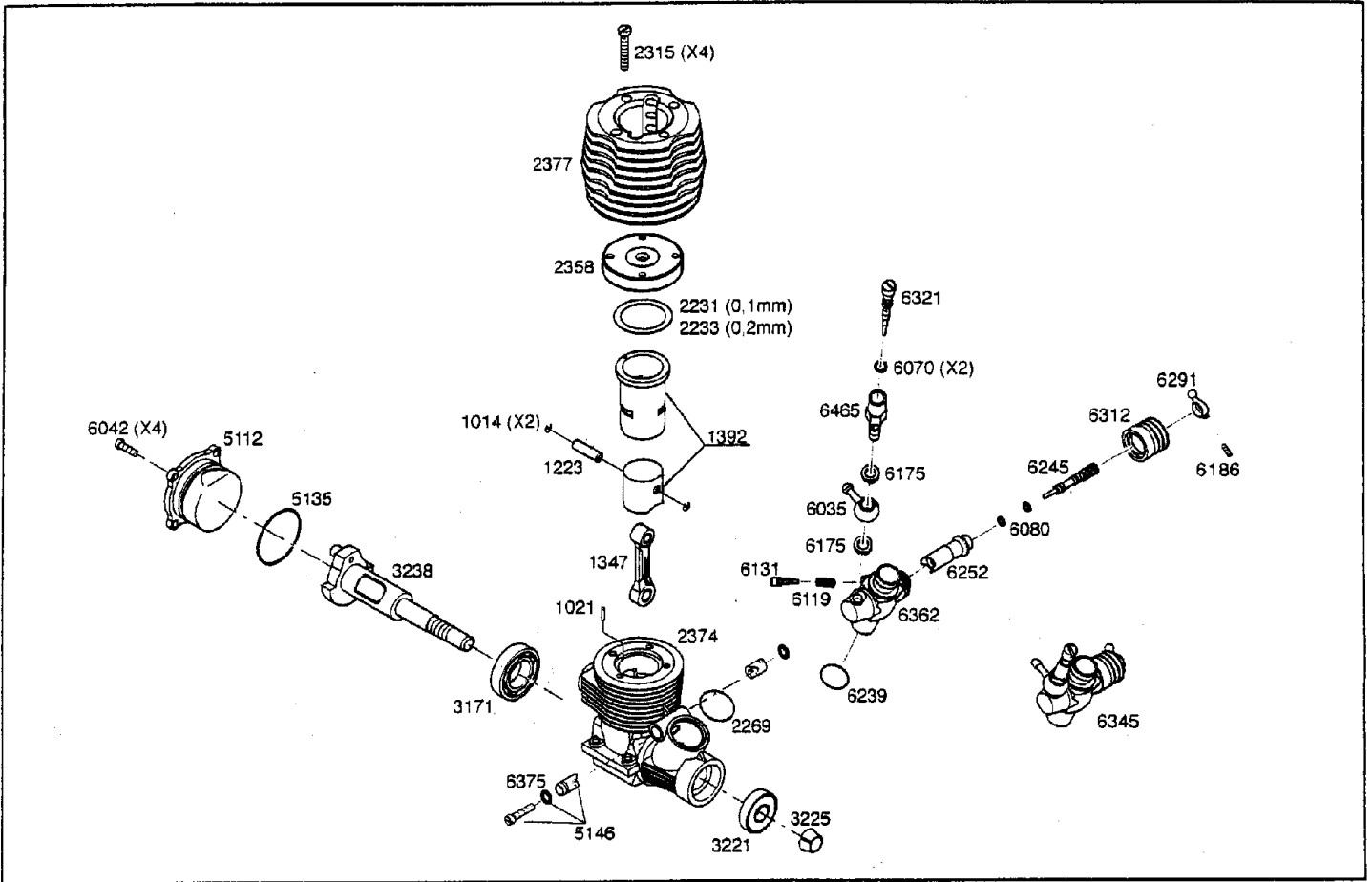
*world champion racing engines*

## P1-R .12 RE TURBO EVO 3

### TECHNICAL DATA:

P1-4073 REAR EXHAUST, SG, SLIDE CARB. TURBO PLUG

- |                           |                   |
|---------------------------|-------------------|
| •Cubic capacity.....2,1cc | •Rpm.....40000    |
| •Stroke.....14            | •Hp.....1,4       |
| •Bore.....13,80           | •Weight.....220gr |



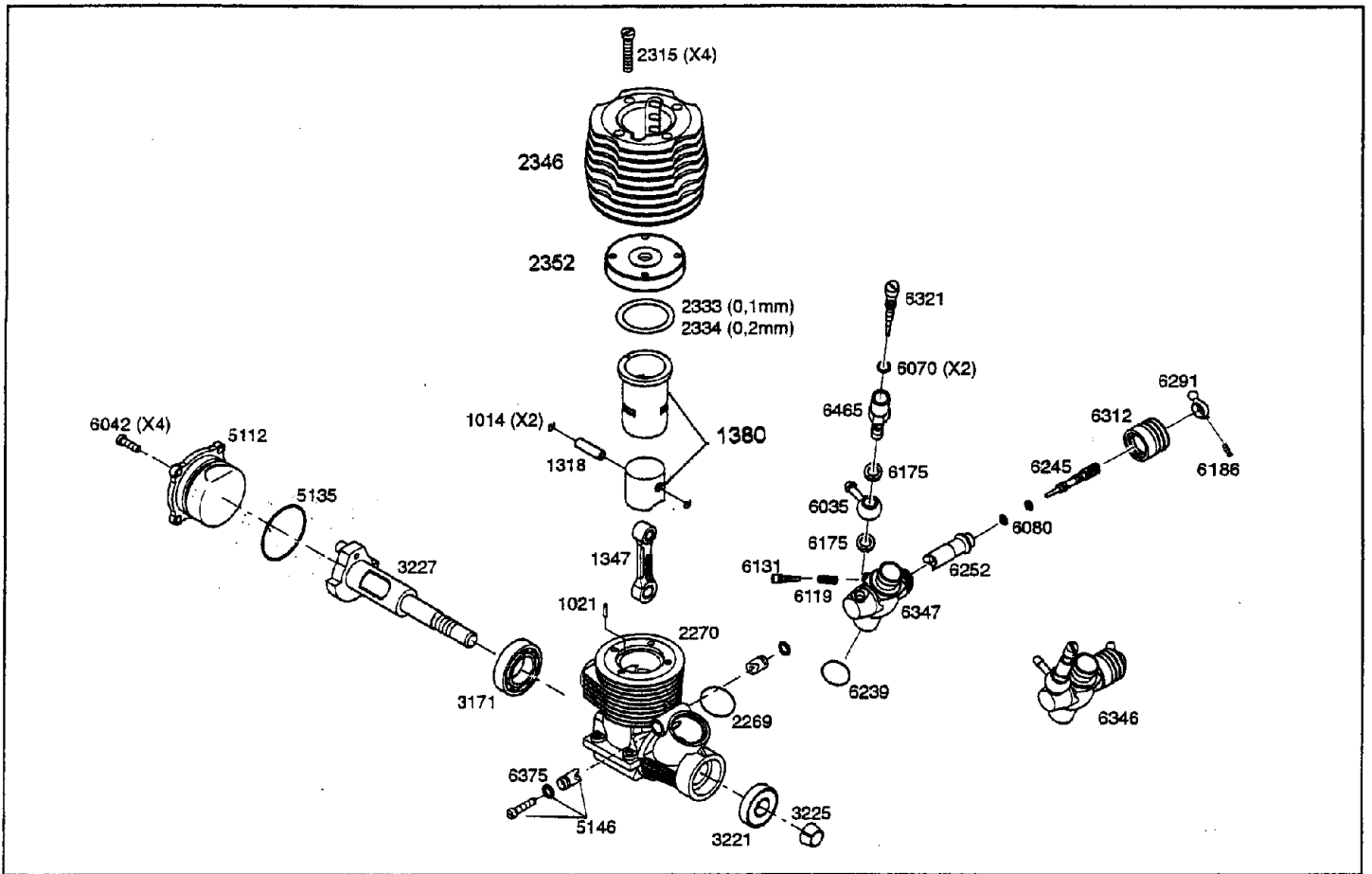
Order form:

.....  
.....  
.....  
.....  
.....  
.....  
.....

Picco Micromotori Via M.Rosa n°81 20043 Arcore (Mi) Italy  
Tel. +39/039/6015674 Fax +39/039/6015677

### TECHNICAL DATA:

- Cubic capacity.....2,47cc
- Stroke.....14
- Bore.....15
- Rpm.....39000
- Hp.....1,8
- Weight.....220gr



Order form:

.....

.....

.....

.....

.....

.....

.....

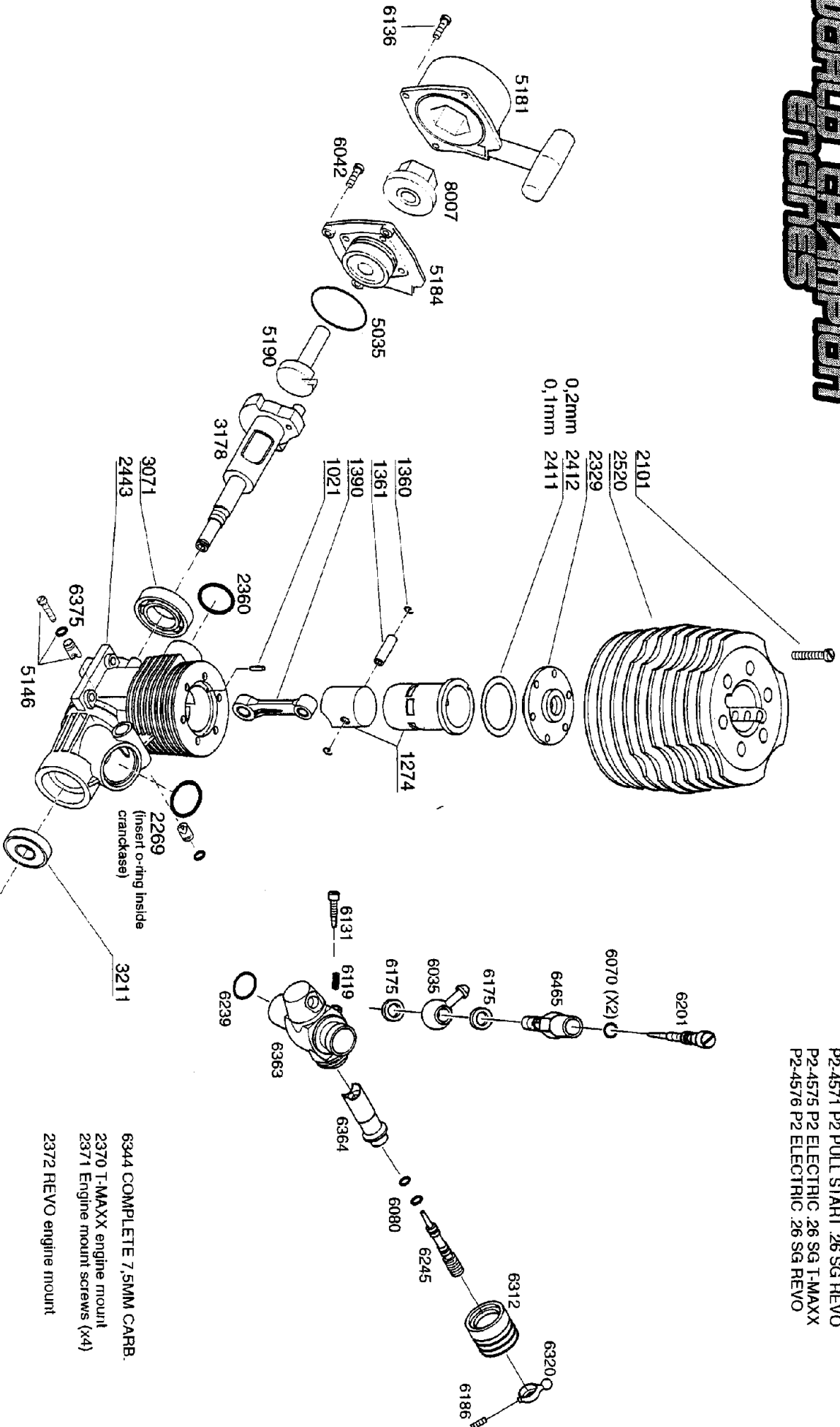
.....

.....

.....

# Picco

Wahlgerät / Wahlgerät



# -Picco P2.26

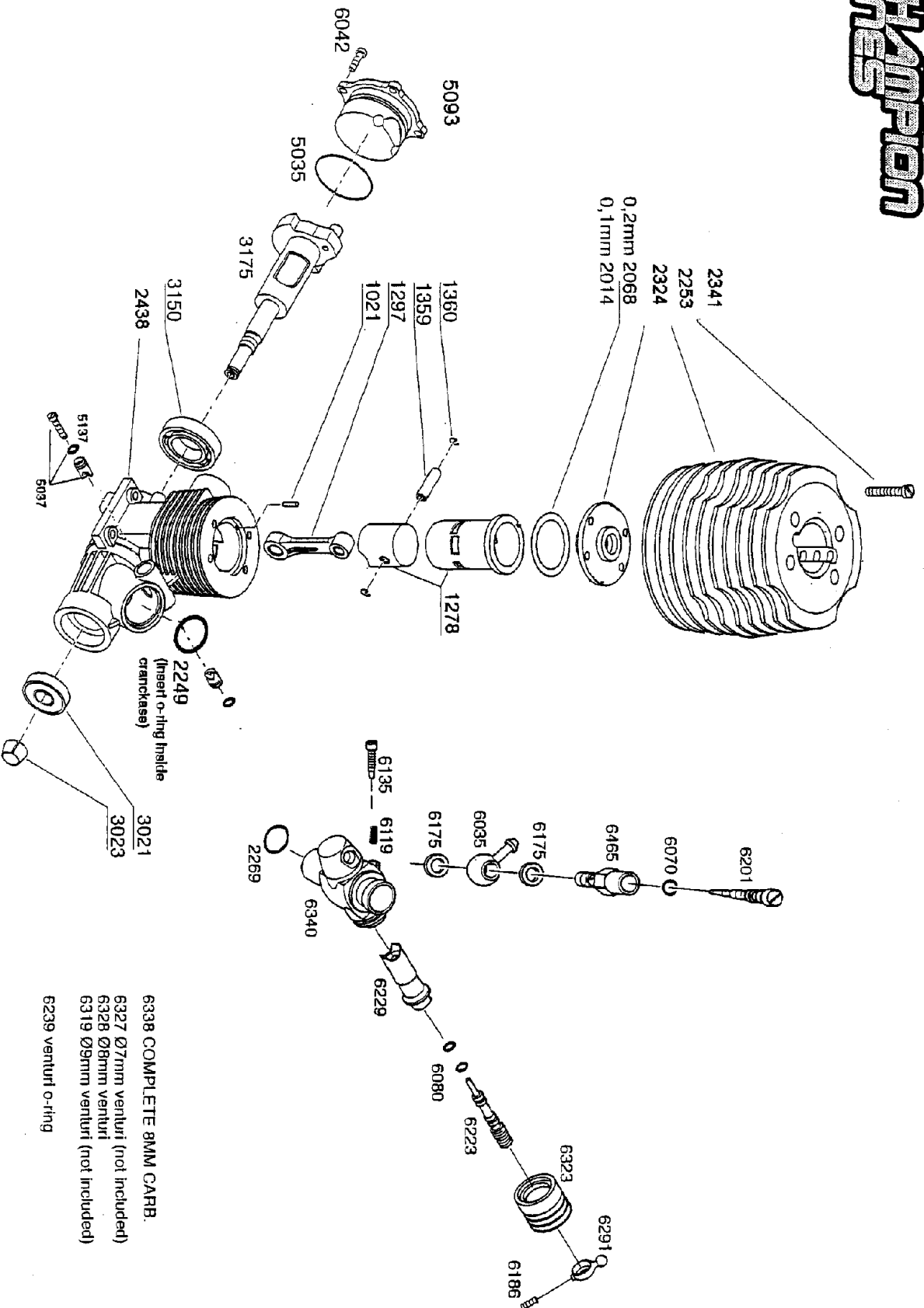
- P2-4570 P2 PULL START .26 SG T-MAXX
- P2-4571 P2 PULL START .26 SG REVO
- P2-4575 P2 ELECTRIC .26 SG T-MAXX
- P2-4576 P2 ELECTRIC .26 SG REVO

- 6344 COMPLETE 7.5MM CARB.
- 2370 T-MAXX engine mount
- 2371 Engine mount screws (x4)
- 2372 REVO engine mount

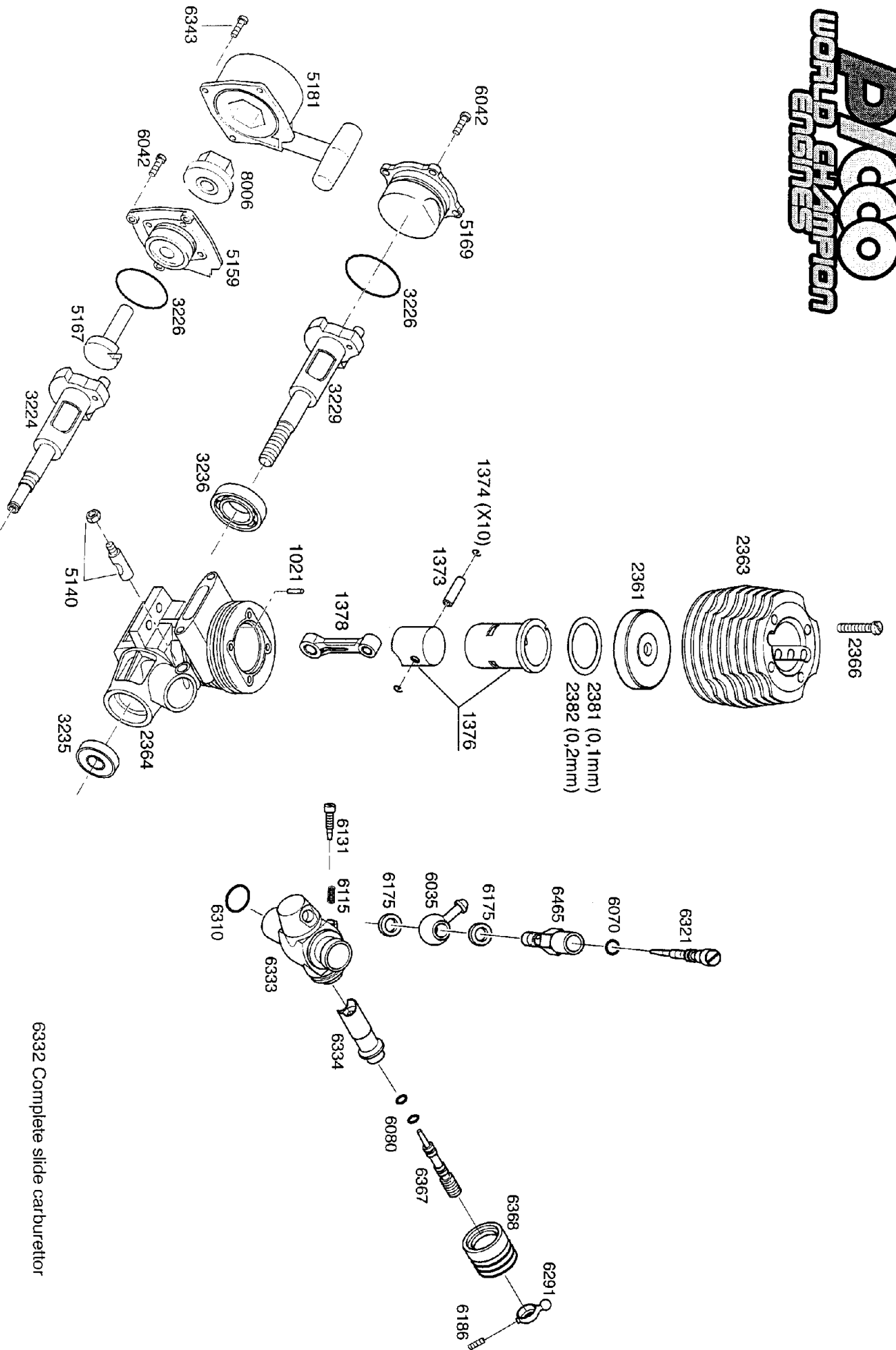


## PICCO P3-R

P3-4770 P3-R .21 SG, SLIDE CARB.



- 6338 COMPLETE 8MM CARB.
- 6327 Ø7mm venturi (not included)
- 6328 Ø8mm venturi
- 6319 Ø9mm venturi (not included)
- 6239 venturi o-ring



6332 Complete slide carburettor

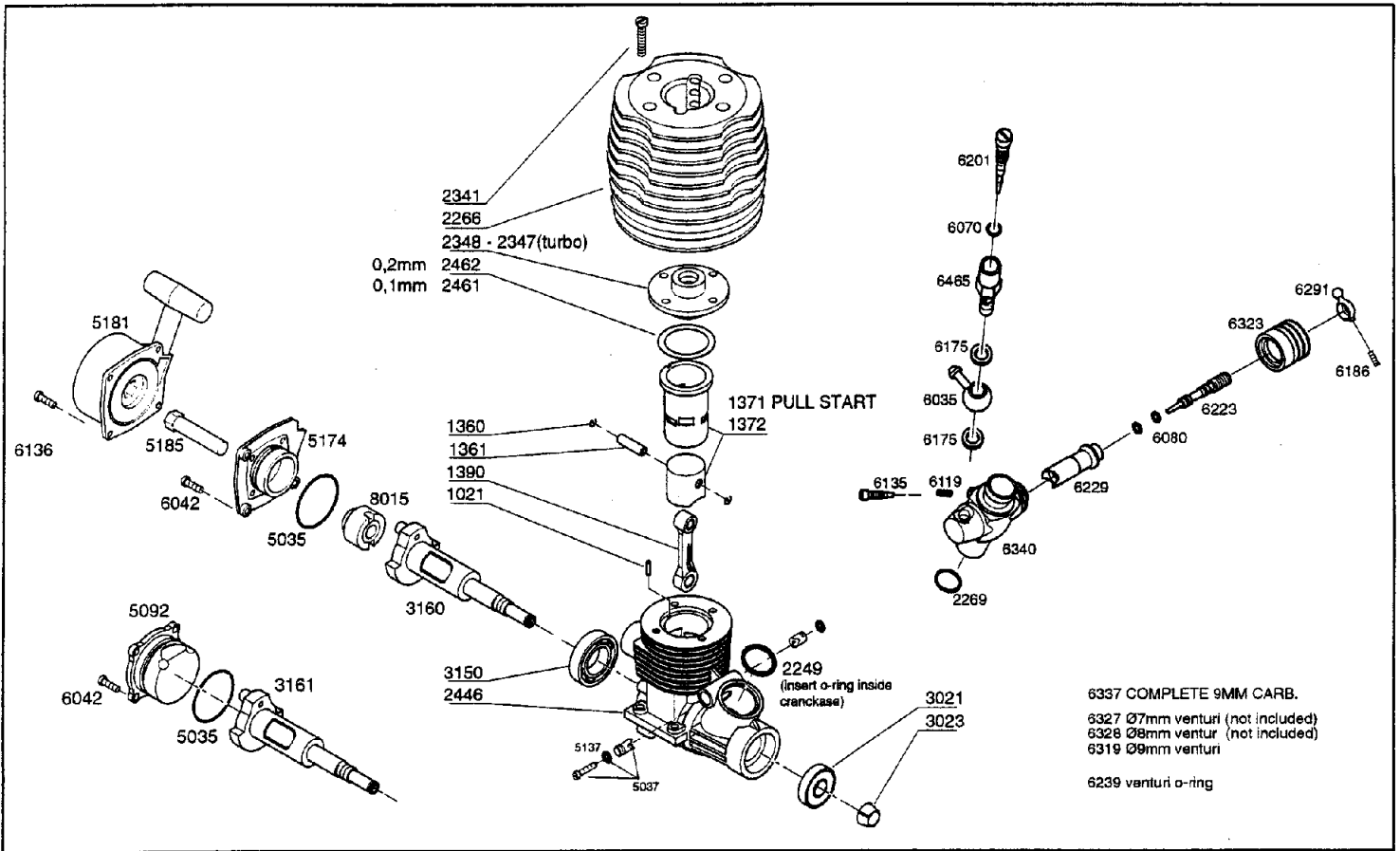


# -PICCO P3 .28 BUGGY

- P3-4925 P3 .28 SG, SLIDE CARB.
- P3-4935 P3 .28 PULL START SG, SLIDE CARB.
- P3-4926 P3 .28 SG, TURBO SLIDE CARB.
- P3-4936 P3 .28 PULL START SG, TURBO SLIDE CARB.

## TECHNICAL DATA:

- Cubic capacity.....4,66cc
- Stroke..... 17,60
- Bore.....18,35
- Rpm.....34500
- Hp.....2,9
- Weight.....330gr



Order form:

.....

.....

.....

.....

.....

.....

.....

.....

.....

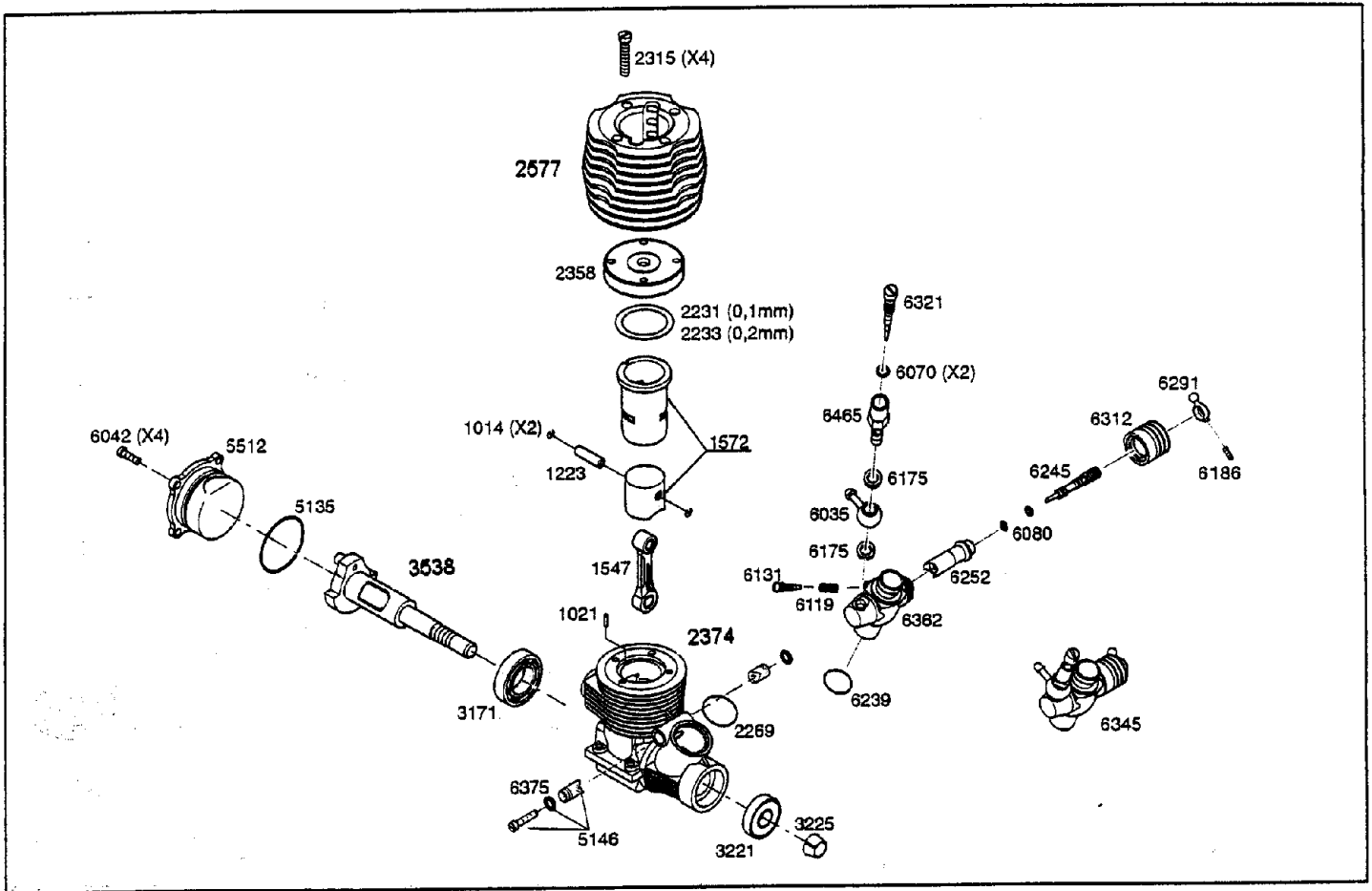
.....

.....



### TECHNICAL DATA:

- Cubic capacity.....2,1cc
- Stroke.....14
- Bore.....13,80
- Rpm.....40000
- Hp.....1,4
- Weight.....220gr



Order form:

.....

.....

.....

.....

.....

.....

.....

.....

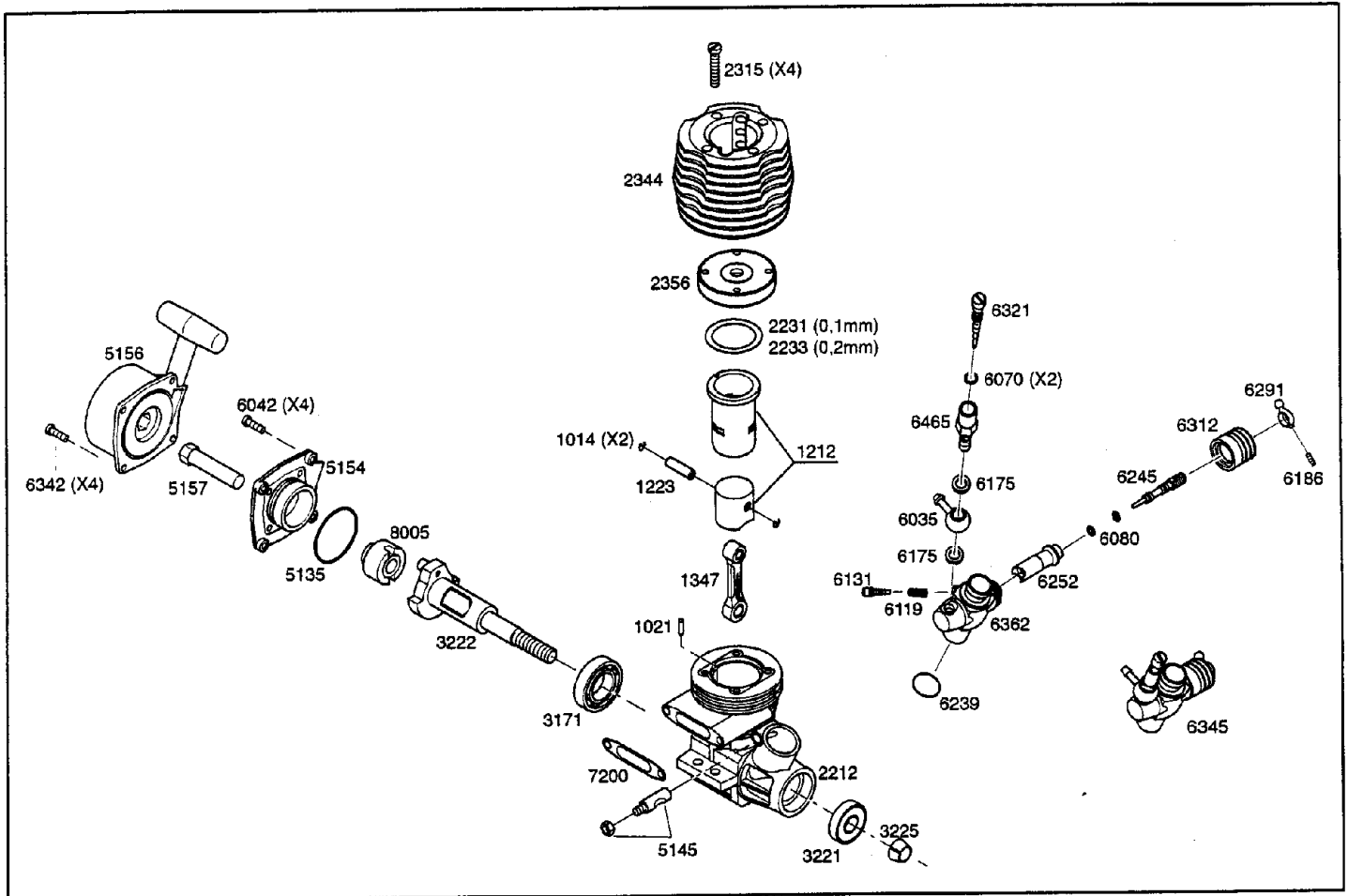
.....

.....

.....

### TECHNICAL DATA:

- Cubic capacity.....2,1cc
- Stroke.....14
- Bore.....13,80
- Rpm.....37000
- Hp.....1,2
- Weight.....220gr



Order form:

.....

.....

.....

.....

.....

.....

.....

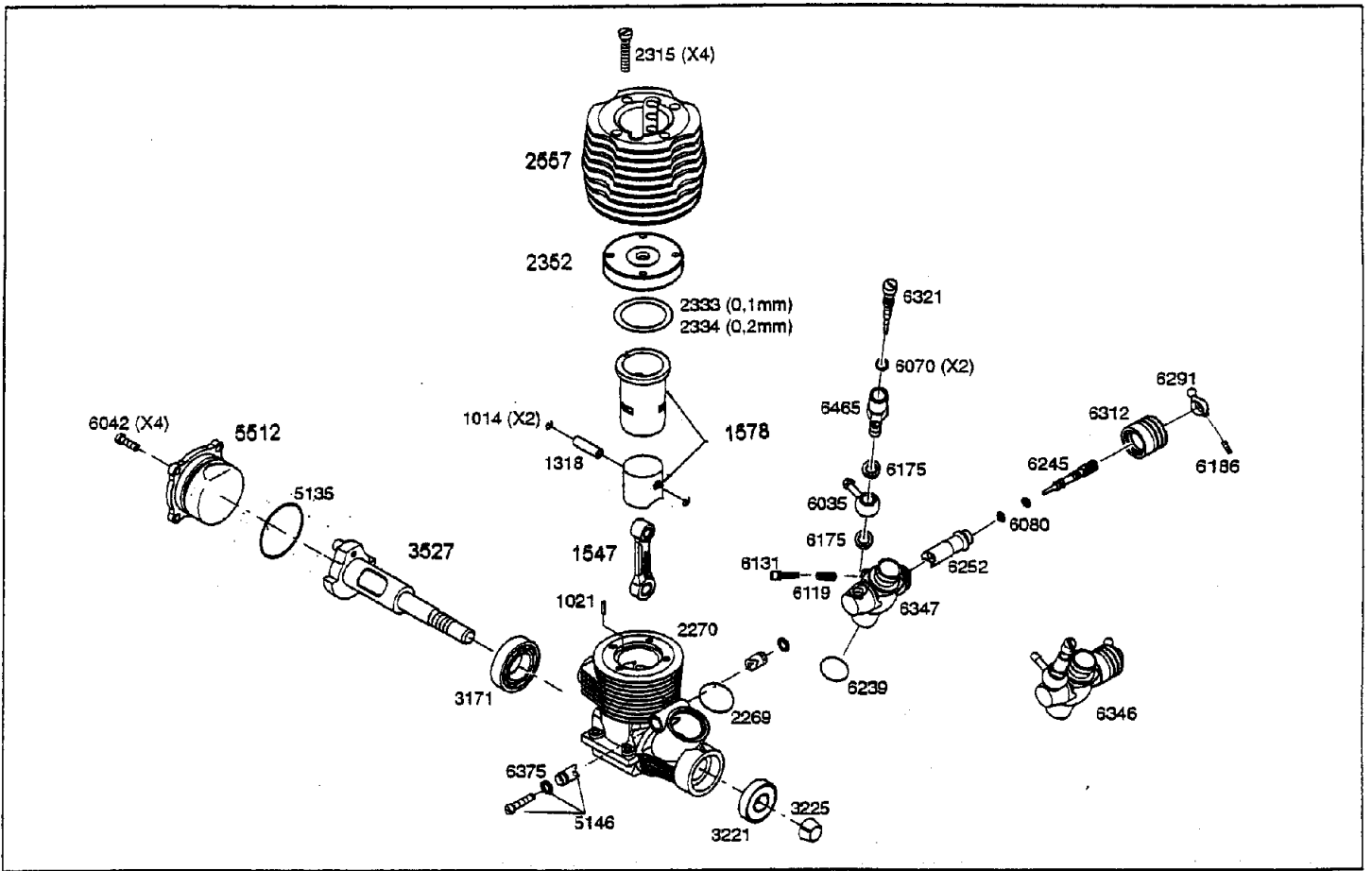
.....

.....

.....

## TECHNICAL DATA:

- Cubic capacity.....2,47cc
- Stroke.....14
- Bore.....15
- Rpm.....39000
- Hp.....1,8
- Weight.....220gr



Order form:

.....

.....

.....

.....

.....

.....

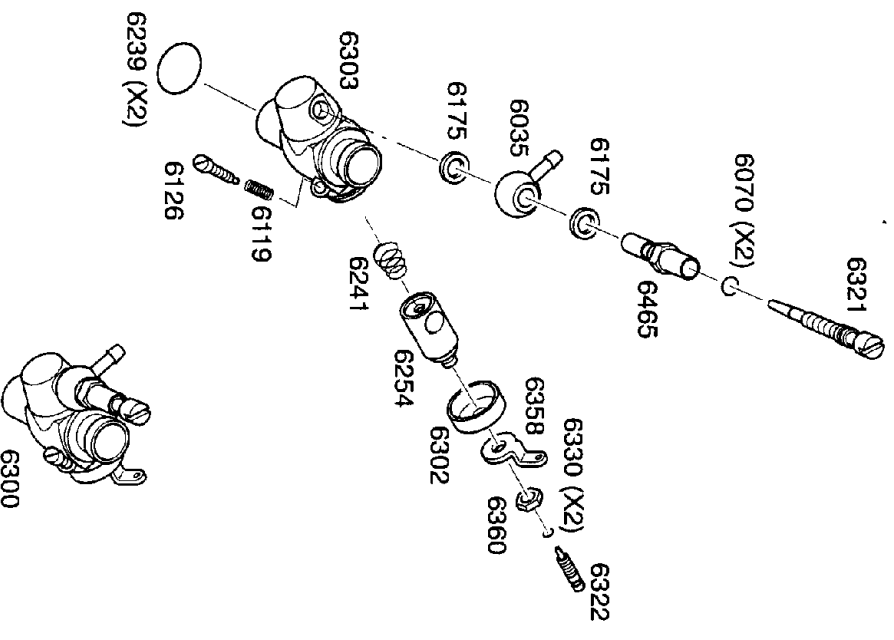
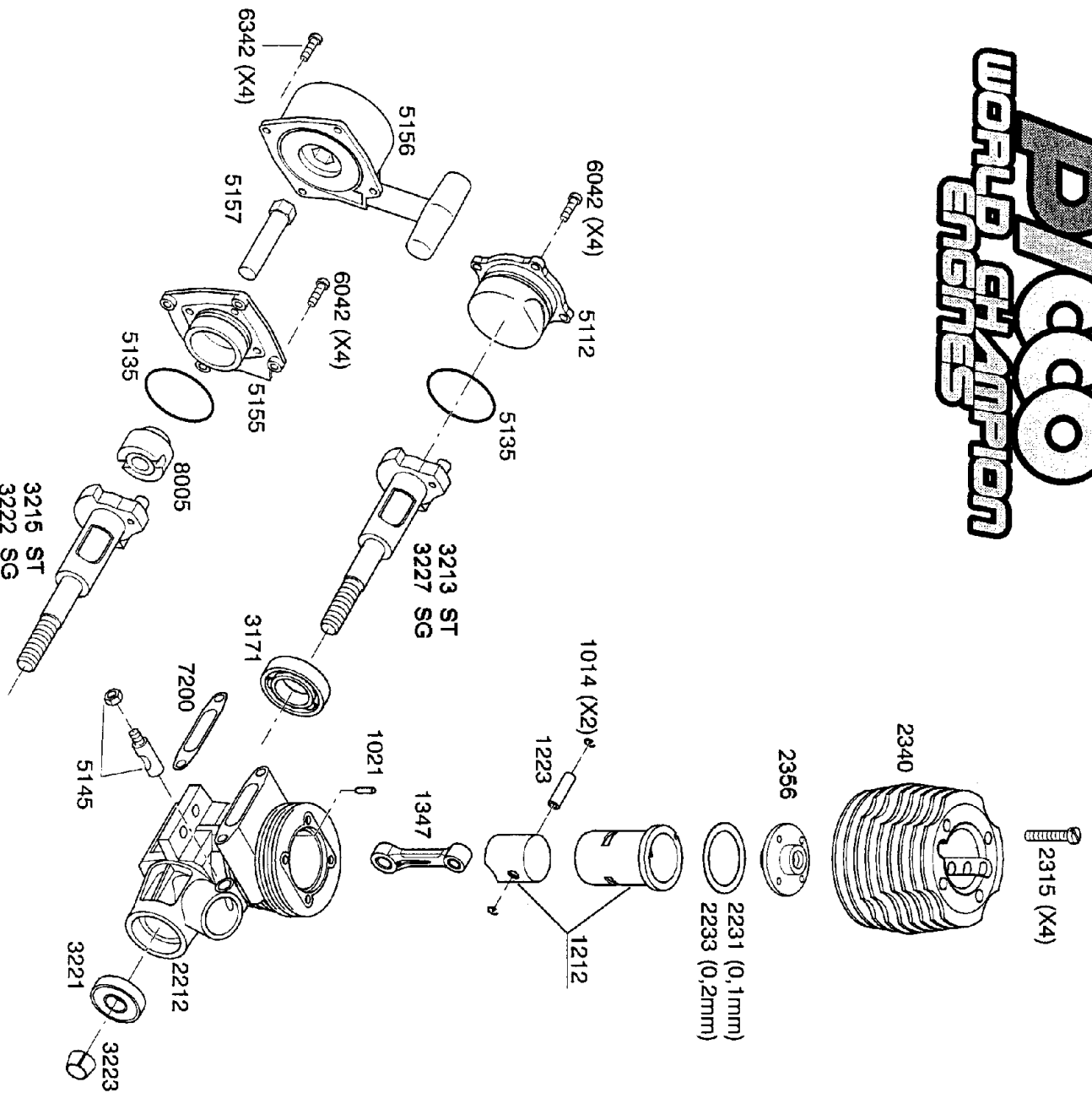
.....

.....

.....

.....

# P/igo WORLD CHAMPION ENGINES

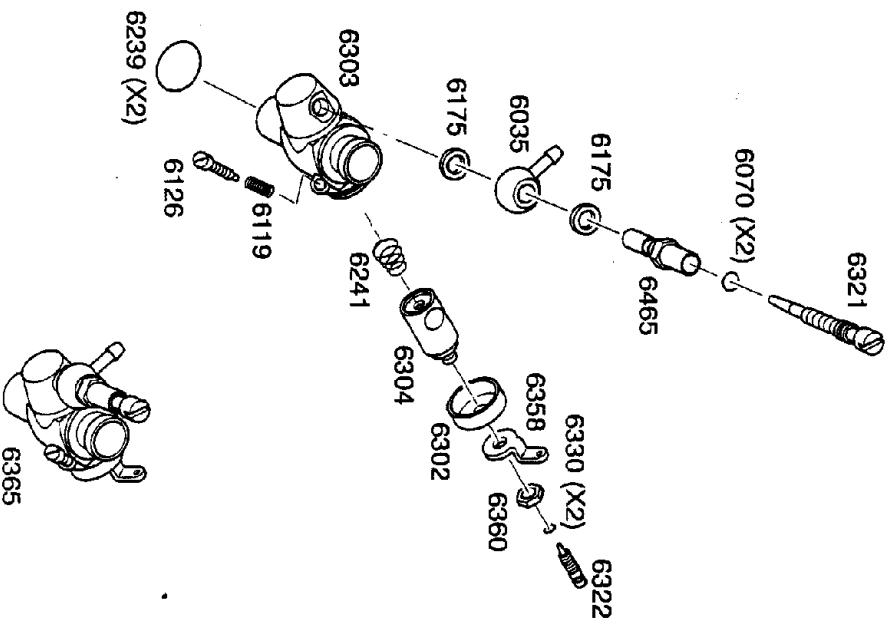
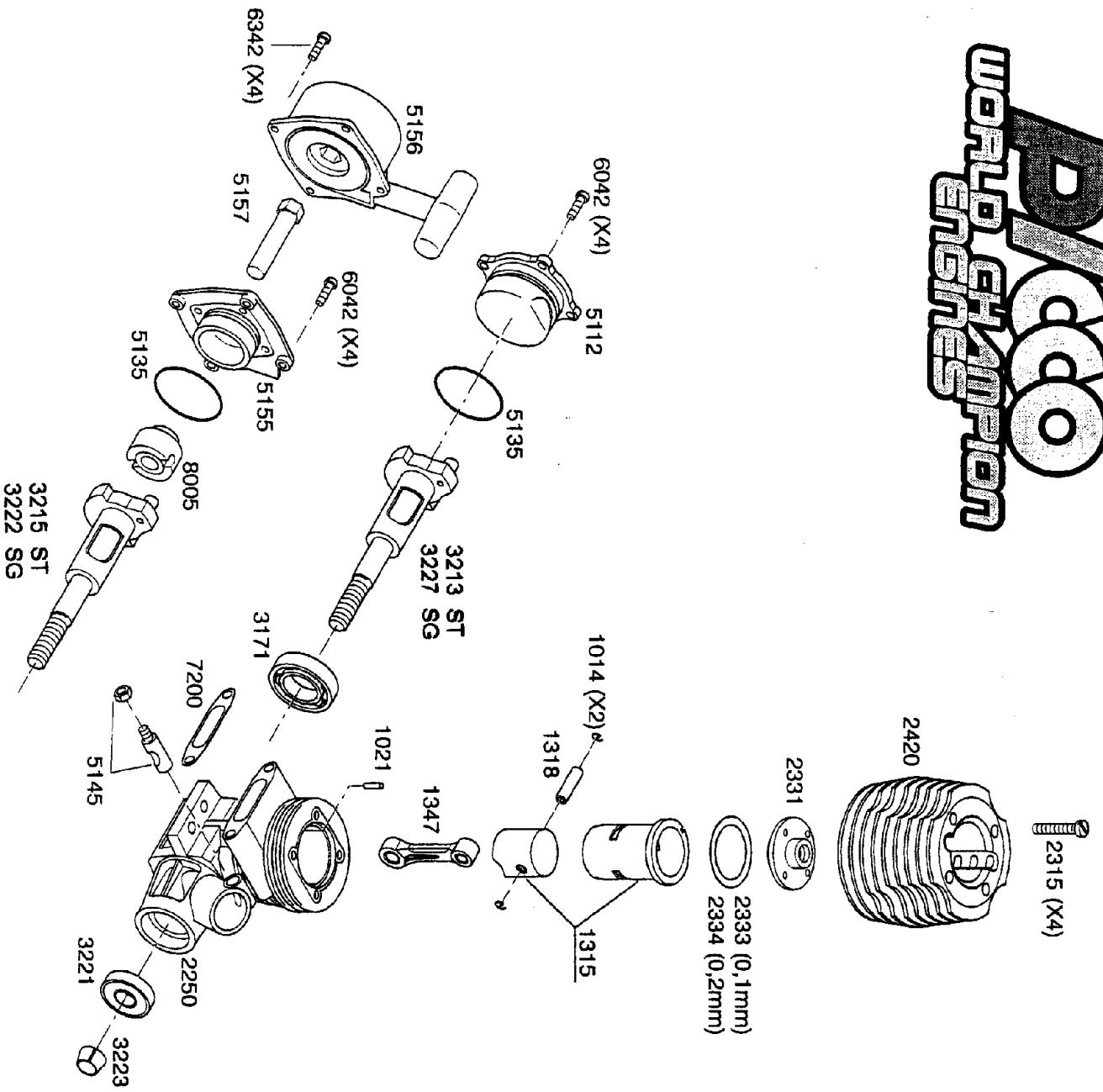


## P1.12 SE ROTARY



# P/ico

WORLD CHAMPION  
Engines



# P1 .15 SE ROTARY