

Setup Sheet

Front Suspension

Toe In _____
 Out _____

Camber _____

Ride Height _____

Droop _____

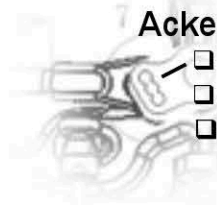
Sway Bar Yes No size _____

Front Shocks

Oil _____

Piston _____ Standard / Drilled

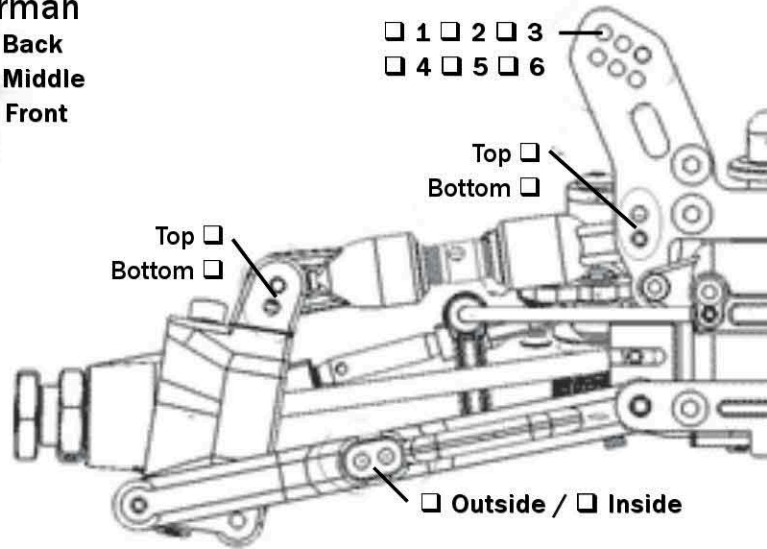
Spring _____



Ackerman

-
- Back
-
-
- Middle
-
-
- Front

-
- 1
-
- 2
-
- 3
-
-
- 4
-
- 5
-
- 6

Top
Bottom Top
Bottom Outside / Inside

Rear Suspension

Toe In & Antisquat block

Camber _____

Ride Height _____

Droop _____

Sway Bar Yes No size _____

Rear Shocks

Oil _____

Piston _____ Standard / Drilled

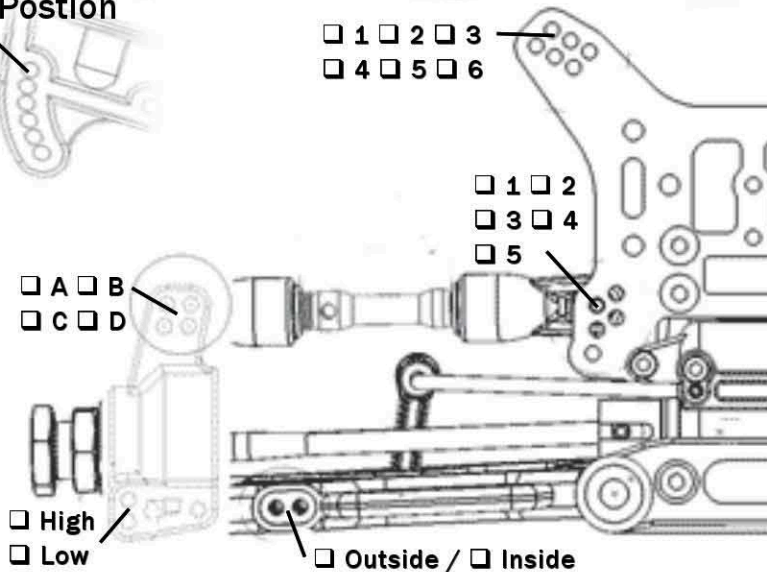
Spring _____

Wing Position

-
- 1
-
-
- 2
-
-
- 3
-
-
- 4
-
-
- 5
-
-
- 6

-
- 1
-
- 2
-
- 3
-
-
- 4
-
- 5
-
- 6

-
- 1
-
- 2
-
-
- 3
-
- 4
-
-
- 5

 A B
 C D High
 Low Outside / Inside

Tires

Front _____ Insert _____ Compound _____ Wheel _____

Rear _____ Insert _____ Compound _____ Wheel _____

Engine

Brand _____

Glow Plug _____

Clutch _____

Notes _____

Brakes

Type (Stock) _____ Bias (front/rear) _____ / _____

Notes

Diffs

Front _____ Center _____ Rear _____

Brand _____